

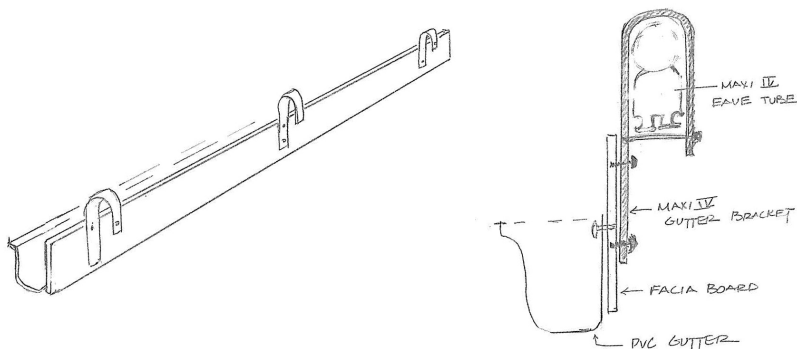
TECH TIP

GUTTER SYSTEMS

Rain gutters improve the performance of fabric structures in wet weather by channeling water away from the sides of the tent, or by creating continuous dry space when tents are positioned next to each other or a permanent building. There are typically two different approaches to gutter systems, dictated by how long the tent will be up and the specific configuration or goal.

Rigid System.

The purpose of this approach is to use commercially available products purchased at any building supply or home improvement store. The key is using brackets that clamp (or bolt on) to all common frame tents. The illustration below shows how the brackets, lumber and gutter can be assembled. This system is ideal for larger frame installations.



Soft or Fabric Systems.

The soft fabric gutter system is most commonly used for short-term applications. This style is manufactured by most tent companies, however the function is sometimes less than ideal. Here are a few hints on the minimum requirements:

- Gutters should slope at least 2" every 10 feet.
- Gutters should have a mechanical method for lengthwise tightening.
- Place a plastic or aluminum pipe (perforated if possible) in the bottom of the fabric gutter to help water flow more quickly to the open end or downspout.
- For even better performance, use gutters with flexible downspouts to direct water away from tents and stake-lines.

